

## Attic Master

3 section pine folding ladder for occasional use in standard or truss roofs



### Customer Profile:

Customers who will use the ladder occasionally.

Customers who have truss or standard ceilings up to 3.1 metres.

Timber ladders suit customers who want a "furniture grade ladder" to install in the interior of their home.

Suits Do-it-Yourself installation where the customer wants a standard type ladder.

### Customer Benefits:

- Grooved treads and 64° ladder angle mean safe, easy climbing.
  - 560mm opening for access and easy fitment to standard or common truss roof spacing.
  - Made from select kiln dried pine for good looks and reliability.
  - Heavy duty, double spring hinges give simple operation.
  - Metal tie rods under each tread for strength.
  - Strong, stable 113kg spread load capacity for long life with regular use.
  - Handrail is standard for good climbing stability.
- Comes complete, assembled, ready to install and with full instructions making home installation trouble free.

Accessory	Application
Turbine ventilators	Quality Edmonds "Windmaster" turbine ventilators ventilates and controls temperature and moisture
Turbo beam turbine ventilator	All new "Turbo Beam" clear turbine ventilator keeps your Attic cooler in summer and gives light all year round.
Ceiling hand rail	Metal loop handrail in ceiling for extra safety
Balustrade	Added security of a rail around your ceiling opening
Dust seal	High density foam dust seal on hatch door

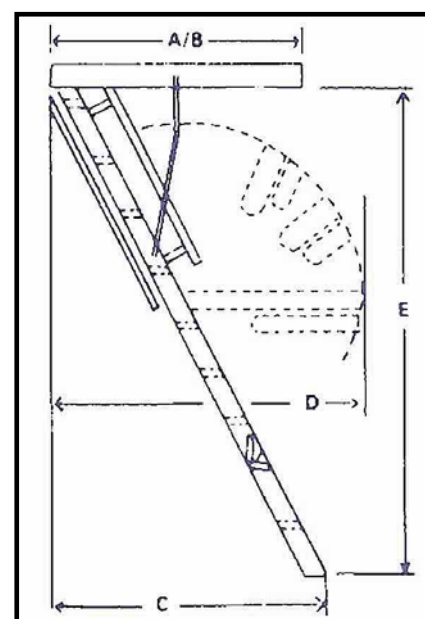
## Attic Master

3 section pine folding ladder for occasional use in standard or truss roofs

### Technical Specifications

#### Features:

- Constructed from kiln dried pine timbers.
- Side rails tenoned, step treads grooved, and screw tied.
- MDF ceiling panel.
- Plated metal butting hinges link step sections.
- Plated hardware.
- Generous 560x1370mm sized ceiling openings.
- Available in sizes to reach up to 3.12 metre ceilings.
- Safety handrail.
- Completely assembled from factory.
- Suitable for DIY by general handymen or professional installation by Attic Ladders tradespeople.



Model	Opening(A/B)	Floor-Ceiling(E) (No of treads)	Standout(C)	Foldout(D)
<b>W256</b>	570 x 1370mm	2.56 mt (10)	1350mm	1575mm
<b>W312</b>	570 x 1370mm	3.12 mt (11)	1600mm	1880mm
	<b>Tread</b>	<b>Stile</b>	<b>Hatch</b>	<b>Casing</b>
<b>Materials</b>	Pine	Pine	Plywood	Pine
	<b>Tread</b>	<b>Stile</b>	<b>Packed</b>	<b>Casing</b>
<b>Dimensions</b>				
<b>Depth</b>	84mm	84mm	L 1370mm	1370mm
<b>Thickness</b>	19mm	19mm	H 300mm	85 x 19mm
<b>Width</b>	320mm		W 575mm	560mm
<b>Weight</b>	<b>30kg</b>			
<b>Load capacity</b>	<b>113kg spread load</b>			

Model	For both normal and truss roof applications
Attic Master W256	Up to 2.56 metres
Attic Master W312	Up to 3.12metres